

FEATURES

- Open VPX VITA 62 compatible
- Wide input range
- High power DC output
- Hold-up 650 watts for 50 msec
- Conduction cooled at card edge
- Conformal coating on PWA



3U Open VPX VITA 62 compatible Hold-Up card

The Behlman VPXtra™HU700HV COTS Hold-Up card is a rugged, highly reliable, conduction cooled, unit built for high-end industrial and military applications. The VPXtra™ HU700HV is a VITA 62, Open VPX compatible, 3U hold-up card that supplies energy storage to hold-up 800 Watts of DC power for 50 msec when used with Behlman's VPXtra800A.

The power supply is designed to support the rigors of mission critical airborne, shipboard, vehicle and mobile applications.

Designed and manufactured with *Xtra-Cooling™*, *Xtra-Reliable™* Design and *Xtra-Rugged™* construction makes the Behlman VPXtra™500M your best choice.

INPUT

Voltage:	270 VDC (230-310 VDC) Designed to meet the input power transients of MIL-STD-704 (A to F)
Grounding:	All input and output terminals (excluding the designated Chassis GND terminal) shall be isolated from the metal enclosure

HOLD-UP

Power:	800 Watts
Time:	50 msec typ. (when used with VPXtra800A)
Charging Time:	100 msec max
Discharge Time:	Voltage at pin shall be 30 V or lower in 2 seconds after removing input power

INDICATOR

Charge Status:	Bi-color LED (Red/Green)
-----------------------	--------------------------

GENERAL CHARACTERISTICS

Isolation:	
Input to Output:	1000 VDC
Input to Case:	1000 VDC
Output to Case:	1000 VDC
MTBF:	1,668,117hrs G _F @ 55°C, IAW MIL HDBK-217F Notice 2

ENVIRONMENTAL

Temperature at card edge (IAW VITA 47)	
Operating:	-40°C to +85°C
Storage:	-55°C to +105°C

COMPLIANCE

Designed to meet the following:	
Shock:	VITA 47 Class OS2
Vibration:	VITA 47 Class V3
Humidity:	VITA 47
EMI :	MIL-STD-461

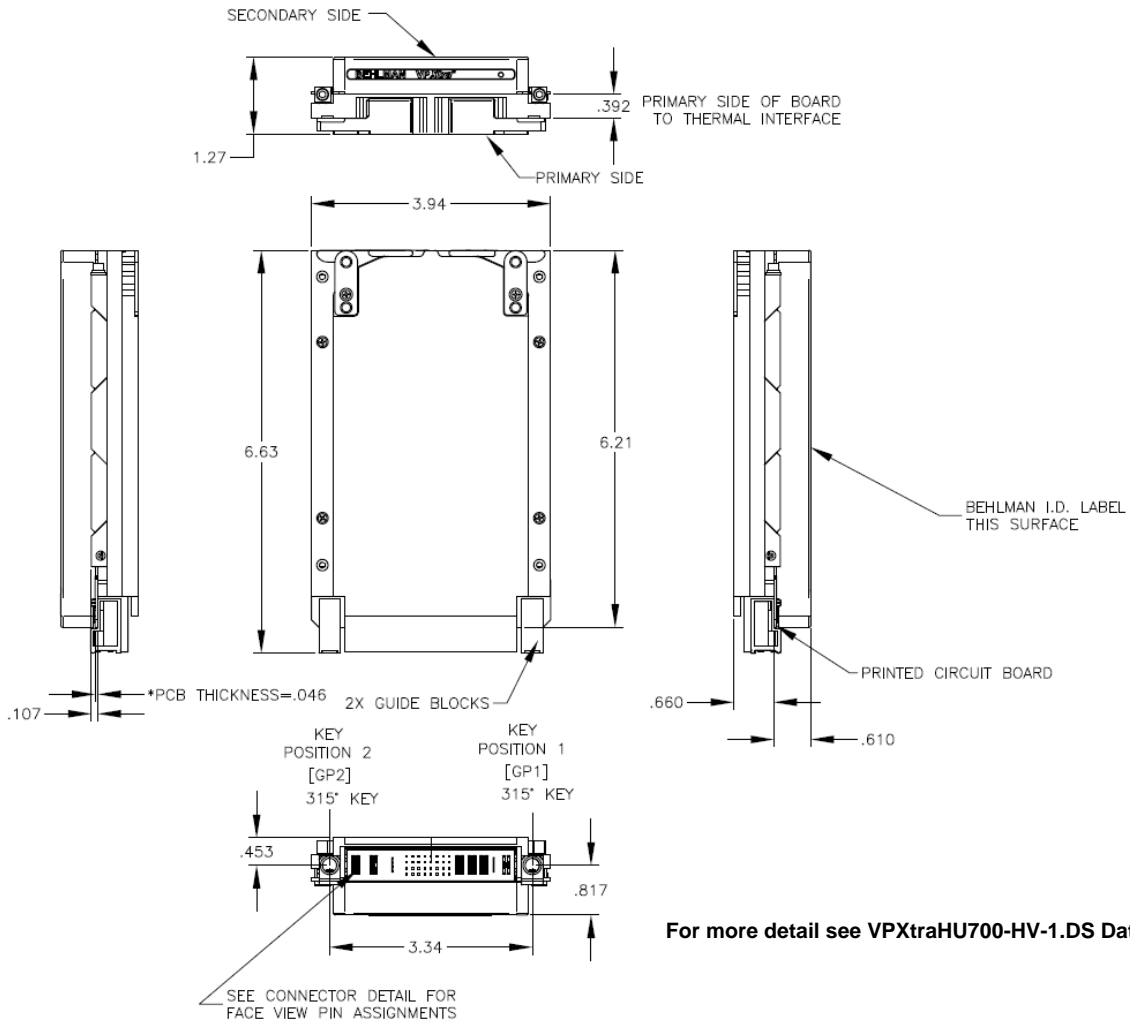
MECHANICAL (1.3 inch pitch)

See O&C drawing 24178 for connector details and pin assignments

Dimensions: 3.94"W x 6.63"L x 1.27"H

Weight: 1.45 lbs.

Connector: TE P/N: 6450849-7



For more detail see VPXtraHU700-HV-1.DS Data Sheet



www.behlman.com

ORBIT POWER GROUP
Behlman Electronics

Headquarters:
80 Cabot Court, Hauppauge, NY 11788
631 435-0410 800 874-6727
Fax: 631 951-4341

sales@behlman.com

