

VPXtra™ 800A

FEATURES

- Open VPX VITA 62 compatible
- Three-phase AC input
- High power DC output
- Efficiency of 90% typical
- Conduction cooled at card edge
- Conformal coating on PWA



3U Open VPX VITA 62 compatible High Power AC-DC Power Supply

The Behlman VPXtra™800A COTS AC to DC power supply is a rugged, highly reliable, conduction cooled, switch mode unit built for high-end industrial and military applications. The VPXtra™800A is a VITA 62, Open VPX compatible, 3U power supply that delivers 800 Watts of 28VDC power. The VPXtra™800A can accept a 115/200 VAC, 3-phase input, IAW MIL-STD-704F, and can supply a high power 28VDC output.

The VPXtra™800A power supply has no minimum load requirement and has overvoltage and short circuit protection as well as over current and thermal protection. The power supply is designed to support the rigors of mission critical airborne, shipboard, vehicle and mobile applications.

Designed and manufactured with *Xtra-Cooling™*, *Xtra-Reliable™* Design and *Xtra-Rugged™* construction makes the Behlman VPXtra™800S your best choice.

INPUT

Voltage: 115/200 VAC, +/- 20%, 3-phase
Frequency: 360-800 Hz

OUTPUT

Power: 800 Watts (85°C card edge)
Voltage/Current: 28 VDC +/- 1% @ 28.5 Amps
Auxiliary: 3.3 VDC +/- 5% @ 0.4 Amps
Line Regulation: 1.0% maximum
Load Regulation: 5.0% maximum (Load > 10%)
PARD-Ripple & Noise: 3.3V: 50mV p-p (0-20 MHz)
28V: 1V p-p (0-20 MHz)
Efficiency: 90% typical, 50-100% load
Power Factor: 0.93 @ 800W

PROTECTIVE CIRCUITS

Over Voltage: Latched Shutdown
Over Current: Constant Current
Short Circuit: Automatic recovery
Over Temp: Shutdown Auto Recovery

VITA 62 SIGNALS

Inhibit: Output Off- active low
Enable*: Input On- active low
Fail*: Output- out of specification

INDICATOR

DC STATUS LED: Bi-color LED (Red/Green)

GENERAL CHARACTERISTICS

Isolation:

Input to Outputs: 1000 VDC

Input to Case: 1000 VDC

Outputs to Case: 500 VDC

+28V to +3.3V Aux: 500VDC

MTBF: 111,943hrs G_F @ 55°C,
IAW MIL HDBK-217F Notice 2

ENVIRONMENTAL

Temperature at card edge (IAW VITA 47)

Operating: -40°C to +85°C

Storage: -55°C to +105°C

Altitude: 60,000

MECHANICAL (1.0 inch pitch)

See O&C drawing 24179 for connector details and pin assignments

Dimensions: 3.94"W x 6.63"L x .97"H

Weight: 1.78 lbs.

Connector: TE P/N: 1-6450839-4

COMPLIANCE

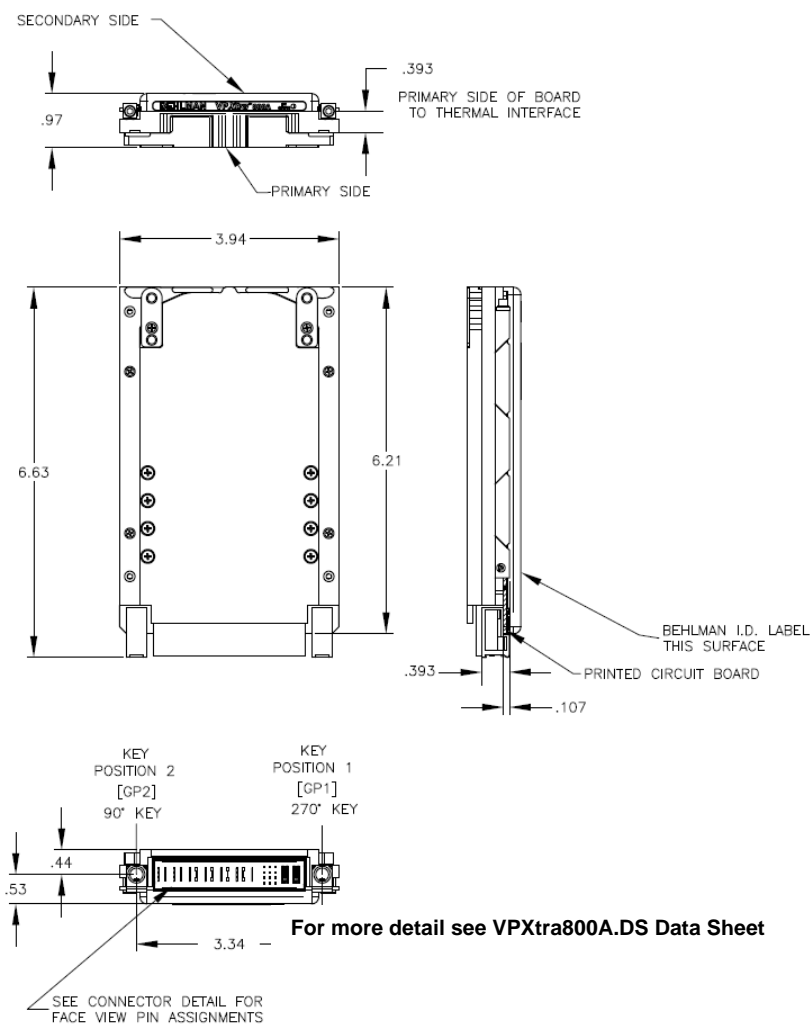
Designed to meet the following:

EMI MIL-STD-461 w/ External Filter

Shock: VITA 47 Class OS2

Vibration: VITA 47 Class V3

Humidity: VITA 47



www.behlman.com

ORBIT POWER GROUP
Behlman Electronics

Headquarters:
80 Cabot Court, Hauppauge, NY 11788
631 435-0410 800 874-6727
Fax: 631 951-4341

sales@behlman.com

